
TECHNICAL DATA SHEET

MI 40-50

IC trucks



4000 kg

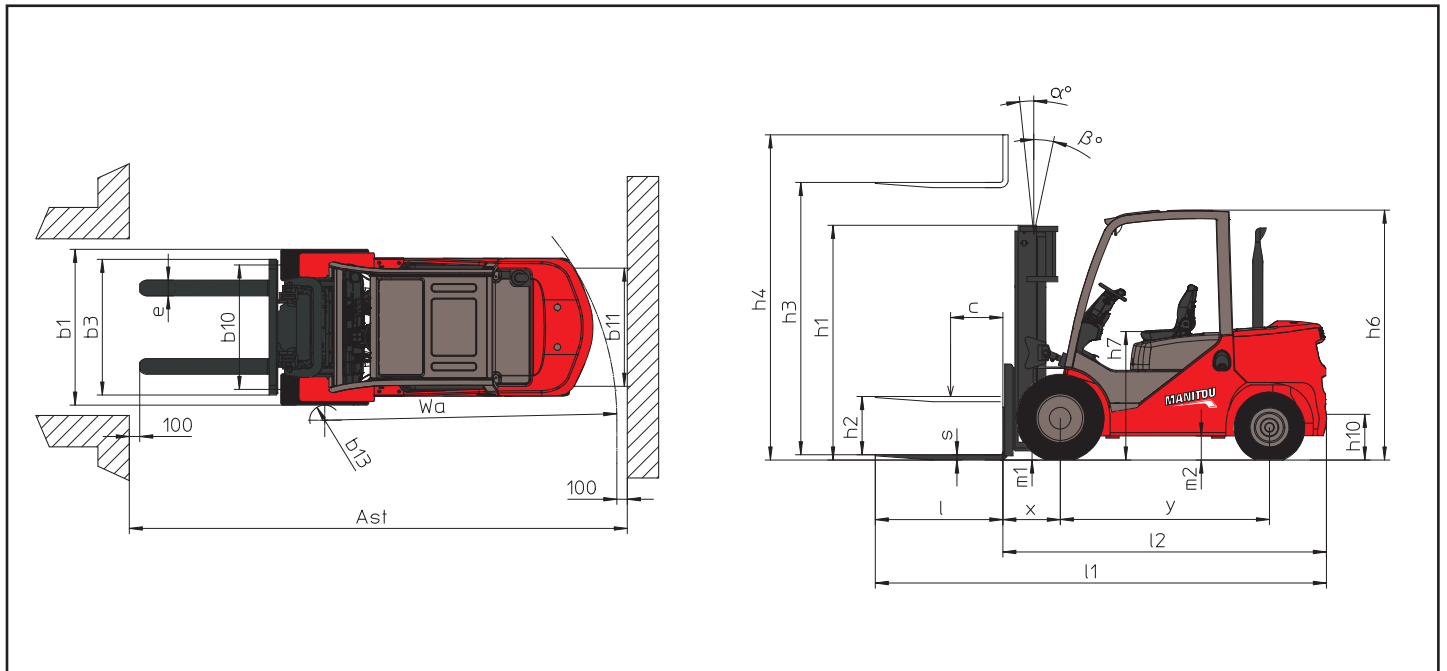
TECHNICAL SPECS

					MANITOU	MANITOU
Specifications	1.1	Manufacturer			MANITOU	MANITOU
	1.2	Model			MI40G	MI40D
	1.3	Power source			LPG	Diesel
	1.4	Driving position			Seated	Seated
	1.5	Nominal capacity	Q	t	4	4
	1.6	Load - Centre of gravity	c	mm	500	500
	1.8	Distance from the load-bearing surface to centre of front axle	x	mm	550	550
	1.9	Wheelbase	y	mm	2000	2000
	Weights	2.1	Operating weight		kg	6300
2.2		Axle load, with load, front / rear		kg	9000 / 1300	9000 / 1300
2.3		Axle load, without load, front / rear		kg	2800 / 3500	2800 / 3500
Tyres, frame	3.1	Tyre equipment : cushion (V), superelastic (SE), pneumatic (L)			SE	SE
	3.2	Size of front wheels			8.25-15-14PR	8.25-15-14PR
	3.3	Size of rear wheels			7.00-12-12PR	7.00-12-12PR
	3.5	Number of front wheels (x=drive wheel) / rear wheels			2x / 2	2x / 2
	3.6	Front wheel gauge (middle of wheels)	b10	mm	1160	1160
	3.7	Rear wheel gauge (middle of wheels)	b11	mm	1130	1130
	Dimensions	4.1	Tilt of mast forwards/backwards (1)	α / β	deg	6 / 12
4.2		Height mast lowered	h1	mm	2245	2245
4.3		Free lift	h2	mm	160	160
4.4		Lift height	h3	mm	3000	3000
4.5		Height mast extended	h4	mm	4170	4170
4.7		Height of overhead guard	h6	mm	2390	2390
4.8		Height of seat	h7	mm	1370	1370
4.12		Height of towing bar	h10	mm	445	445
4.19		Overall length	l1	mm	4290	4290
4.20		Length at fork heels	l2	mm	3070	3070
4.21		Total width (overall)	b1	mm	1395 / 1940	1395 / 1940
4.22		Fork dimensions	e / s / l	mm	122 / 50 / 1220	122 / 50 / 1220
4.23		Fork carriage to DIN 15173 A/B			FEM 3A	FEM 3A
4.24		Width of fork carriage b3	b3	mm	1250	1250
4.31		Ground clearance below mast	m1	mm	170	170
4.32		Ground clearance at centre of wheel-base	m2	mm	230	230
4.33		Width of aisle for pallet 1000x1200 crossways	Ast	mm	4642	4642
4.34		Width of aisle for pallet 800x1200 lengthways	Ast	mm	4775	4775
4.35	Turning radius	Wa	mm	2780	2780	
4.36	Inner turning radius	b13	mm	135	135	
Performances	5.1	Speed of travel laden / unladen		km/h	22 / 24	22 / 24
	5.2	Speed of raise laden / unladen		m/s	0,46 / 0,48	0,46 / 0,48
	5.3	Speed of lowering laden / unladen m/s		m/s	0,5 / 0,5	0,5 / 0,5
	5.5	Nominal towing power laden / unladen		N	38000 / 22000	40000 / 20000
	5.7	Gradeability with / without load		%	24 / 37	31 / 39
	5.10	Service brake			Hydraulic	Hydraulic
Engines	7.1	Engine Manufacturer / Type			PSI 4.3L	Cummins QSF2.8T4F - Stage 3B
	7.2	Power delivery		kW	74	55
	7.3	Rated speed		tr/min	2300	2600
	7.4	Number of pistons / Cubic capacity		cm ³	6 / 4300	4 / 2800
Misc.	8.2	Operating pressure for attachments		bar	160	160
	8.3	Oil flow for attachments		l/min	90	90
	-	Average weighted acceleration on driver's body (acc to std NF EN 13059)		m/s ²	1	1

1 Values with duplex mast

Data is based on standard configurations (forks, battery).
Performance data and dimensions are nominal and subject to tolerances.
Specifications are subject to change without notice.

DIMENSIONAL DRAWINGS



MAST AND RATED CAPACITIES

MI 4,0 T			Duplex Total Visibility							Duplex Free Lift				Triplex Free Lift						
			DVT30	DVT33	DVT35	DVT37	DVT40	DVT45	DVT50	DLL30	DLL33	DLL35	DLL37	TLL40	TLL43	TLL45	TLL47	TLL50	TLL55	TLL60
h3*	Lift height	mm	3000	3300	3500	3700	4000	4500	5000	3000	3300	3500	3700	4000	4300	4500	4700	5000	5500	6000
h1	Height mast lowered	mm	2245	2395	2495	2595	2795	3070	3345	2226	2376	2476	2576	2080	2180	2248	2310	2410	2575	2790
h2	Free lift	mm	160	160	160	160	160	160	160	1364	1514	1614	1714	1229	1329	1395	1459	1559	1724	1939
h4*	Height mast extended*	mm	4170	4470	4670	4870	5170	5670	6170	4170	4470	4670	4870	5170	5470	5685	5870	6170	6670	7180
	Residual capacity without attachment	kg	4000	4000	4000	4000	4000	3700	3200	4000	4000	4000	4000	4000	3900	3500	3300	3100	2800	2300
	Residual capacity with Integrated sideshift	kg	4000	4000	4000	4000	4000	3600	3100	4000	4000	4000	4000	3900	3800	3400	3200	3000	2700	2200
α/β	Tilt of mast forwards / backwards	deg	6 / 12	6 / 12	6 / 12	6 / 12	6 / 12	6 / 6	6 / 6	6 / 12	6 / 12	6 / 12	6 / 12	6 / 12	6 / 6	6 / 6	6 / 6	6 / 6	3 / 6	3 / 6

* Without backrest

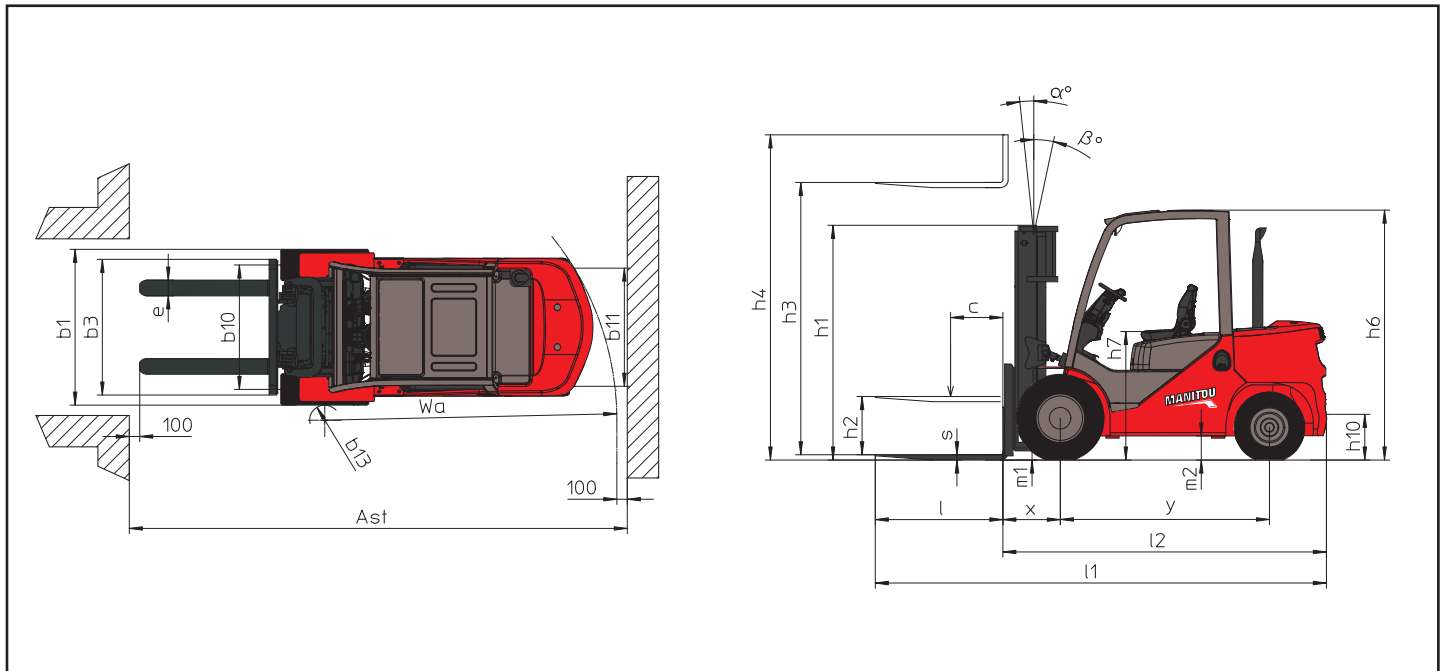
4500 kg

TECHNICAL SPECS

Specifications	1.1	Manufacturer			MANITOU	MANITOU
	1.2	Model			MI45G	MI45D
	1.3	Power source			LPG	Diesel
	1.4	Driving position			Seated	Seated
	1.5	Nominal capacity	Q	t	4,5	4,5
	1.6	Load - Centre of gravity	c	mm	500	500
	1.8	Distance from the load-bearing surface to centre of front axle	x	mm	550	550
	1.9	Wheelbase	y	mm	2000	2000
	Weights	2.1	Operating weight		kg	6500
2.2		Axle load, with load, front / rear		kg	9625 / 1375	9625 / 1375
2.3		Axle load, without load, front / rear		kg	2820 / 3680	2820 / 3680
Tyres, frame	3.1	Tyre equipment : cushion (V), superelastic (SE), pneumatic (L)			SE	SE
	3.2	Size of front wheels			300-15-18PR	300-15-18PR
	3.3	Size of rear wheels			7.00-12-12PR	7.00-12-12PR
	3.5	Number of front wheels (x=drive wheel) / rear wheels			2x / 2	2x / 2
	3.6	Front wheel gauge (middle of wheels)	b10	mm	1190	1190
	3.7	Rear wheel gauge (middle of wheels)	b11	mm	1130	1130
	Dimensions	4.1	Tilt of mast forwards/backwards (1)	α / β		6 / 12
4.2		Height mast lowered	h1	mm	2245	2245
4.3		Free lift	h2	mm	160	160
4.4		Lift height	h3	mm	3000	3000
4.5		Height mast extended	h4	mm	4170	4170
4.7		Height of overhead guard	h6	mm	2390	2390
4.8		Height of seat	h7	mm	1370	1370
4.12		Height of towing bar	h10	mm	445	445
4.19		Overall length	l1	mm	4330	4330
4.20		Length at fork heels	l2	mm	3110	3110
4.21		Total width (overall)	b1	mm	1490 / 1940	1490 / 1940
4.22		Fork dimensions	e / s / l	mm	150 / 50 / 1220	150 / 50 / 1220
4.23		Fork carriage to DIN 15173 A/B			FEM 3A	FEM 3A
4.24		Width of fork carriage b3	b3	mm	1250	1250
4.31		Ground clearance below mast	m1	mm	170	170
4.32		Ground clearance at centre of wheel-base	m2	mm	230	230
4.33		Width of aisle for pallet 1000x1200 crossways	Ast	mm	4662	4662
4.34		Width of aisle for pallet 800x1200 lengthways	Ast	mm	4795	4795
4.35		Turning radius	Wa	mm	2800	2800
4.36	Inner turning radius	b13	mm	100	100	
Performances	5.1	Speed of travel laden / unladen		km/h	22 / 24	22 / 24
	5.2	Speed of raise laden / unladen		m/s	0,46 / 0,48	0,46 / 0,48
	5.3	Speed of lowering laden / unladen m/s		m/s	0,5 / 0,5	0,5 / 0,5
	5.5	Nominal towing power laden / unladen		N	38000 / 22000	40000 / 20000
	5.7	Gradeability with / without load		%	23 / 34	30 / 36
	5.10	Service brake			Hydraulic	Hydraulic
Engines	7.1	Engine Manufacturer / Type			PSI 4.3L	Cummins QSF2.8T4F - Stage 3B
	7.2	Power delivery		kW	74	55
	7.3	Rated speed		tr/min	2300	2600
	7.4	Number of pistons / Cubic capacity		cm ³	6 / 4300	4 / 2800
Misc.	8.2	Operating pressure for attachments		bar	160	160
	8.3	Oil flow for attachments		l/min	90	90
	-	Average weighted acceleration on driver's body (acc to std NF EN 13059)		m/s ²	1	1

¹ Values with duplex mast

DIMENSIONAL DRAWINGS



MAST AND RATED CAPACITIES

MI 4,5 T			Duplex Total Visibility							Duplex Free Lift				Triplex Free Lift						
			DVT30	DVT33	DVT35	DVT37	DVT40	DVT45	DVT50	DLL30	DLL33	DLL35	DLL37	TLL40	TLL43	TLL45	TLL47	TLL50	TLL55	TLL60
h3*	Lift height	mm	3000	3300	3500	3700	4000	4500	5000	3000	3300	3500	3700	4000	4300	4500	4700	5000	5500	6000
h1	Height mast lowered	mm	2245	2395	2495	2595	2795	3070	3345	2226	2376	2476	2576	2080	2180	2248	2310	2410	2575	2790
h2	Free lift	mm	160	160	160	160	160	160	160	1364	1514	1614	1714	1229	1329	1395	1459	1559	1724	1939
h4*	Height mast extended*	mm	4170	4470	4670	4870	5170	5670	6170	4170	4470	4670	4870	5170	5470	5685	5870	6170	6670	7180
	Residual capacity without attachment	kg	4500	4500	4500	4500	4500	4100	3700	4500	4500	4500	4500	4450	4300	4100	3900	3600	3100	2500
	Residual capacity with Integrated sideshift	kg	4500	4500	4500	4500	41500	4000	3600	4500	4500	4500	4500	4350	4200	4000	3800	3500	23000	2400
α/β	Tilt of mast forwards / backwards	deg	6 / 12	6 / 12	6 / 12	6 / 12	6 / 12	6 / 6	6 / 6	6 / 12	6 / 12	6 / 12	6 / 12	6 / 12	6 / 6	6 / 6	6 / 6	6 / 6	3 / 6	3 / 6

* Without backrest

5000 kg

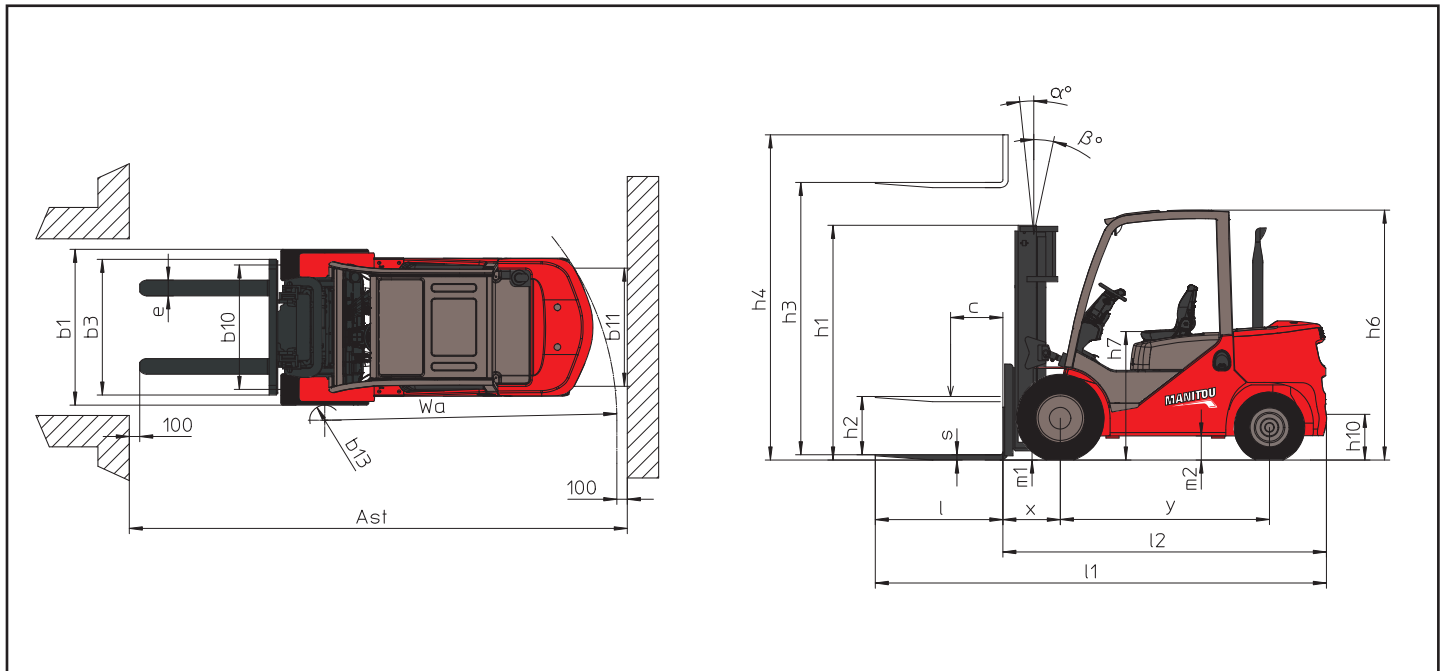
TECHNICAL SPECS

					MANITOU	MANITOU
Specifications	1.1	Manufacturer			MANITOU	MANITOU
	1.2	Model			MI50G	MI50D
	1.3	Power source			LPG	Diesel
	1.4	Driving position			Seated	Seated
	1.5	Nominal capacity	Q	t	5	5
	1.6	Load - Centre of gravity	c	mm	500	500
	1.8	Distance from the load-bearing surface to centre of front axle	x	mm	560	560
1.9	Wheelbase	y	mm	2150	2150	
Weights	2.1	Operating weight		kg	6800	6800
	2.2	Axle load, with load, front / rear		kg	10450 / 1350	10450 / 1350
	2.3	Axle load, without load, front / rear		kg	3000 / 3800	3000 / 3800
Tyres, frame	3.1	Tyre equipment : cushion (V), superelastic (SE), pneumatic (L)			SE	SE
	3.2	Size of front wheels			300-15-18PR	300-15-18PR
	3.3	Size of rear wheels			7.00-12-12PR	7.00-12-12PR
	3.5	Number of front wheels (x=drive wheel) / rear wheels			2x / 2	2x / 2
	3.6	Front wheel gauge (middle of wheels)	b10	mm	1190	1190
	3.7	Rear wheel gauge (middle of wheels)	b11	mm	1130	1130
Dimensions	4.1	Tilt of mast forwards/backwards (1)	α / β		6 / 12	6 / 12
	4.2	Height mast lowered	h1	mm	2395	2395
	4.3	Free lift	h2	mm	160	160
	4.4	Lift height	h3	mm	3000	3000
	4.5	Height mast extended	h4	mm	4320	4320
	4.7	Height of overhead guard	h6	mm	2390	2390
	4.8	Height of seat	h7	mm	1370	1370
	4.12	Height of towing bar	h10	mm	445	445
	4.19	Overall length	l1	mm	4475	4475
	4.20	Length at fork heels	l2	mm	3255	3255
	4.21	Total width (overall)	b1	mm	1490 / 1940	1490 / 1940
	4.22	Fork dimensions	e / s / l	mm	150 / 50 / 1220	150 / 50 / 1220
	4.23	Fork carriage to DIN 15173 A/B			FEM 3A	FEM 3A
	4.24	Width of fork carriage b3	b3	mm	1250	1250
	4.31	Ground clearance below mast	m1	mm	170	170
	4.32	Ground clearance at centre of wheel-base	m2	mm	230	230
	4.33	Width of aisle for pallet 1000x1200 crossways	Ast	mm	4791	4791
	4.34	Width of aisle for pallet 800x1200 lengthways	Ast	mm	4925	4925
	4.35	Turning radius	Wa	mm	2920	2920
4.36	Inner turning radius	b13	mm	130	130	
Performances	5.1	Speed of travel laden / unladen		km/h	22 / 24	22 / 24
	5.2	Speed of raise laden / unladen		m/s	0,4 / 0,43	0,4 / 0,43
	5.3	Speed of lowering laden / unladen m/s		m/s	0,5 / 0,5	0,5 / 0,5
	5.5	Nominal towing power laden / unladen		N	38000 / 23000	40000 / 21000
	5.7	Gradeability with / without load		%	22 / 32	31 / 34
	5.10	Service brake			Hydraulic	Hydraulic
Engines	7.1	Engine Manufacturer / Type			PSI 4.3L	Cummins QSF2.8T4F - Stage 3B
	7.2	Power delivery		kW	74	55
	7.3	Rated speed		tr/min	2300	2600
	7.4	Number of pistons / Cubic capacity		cm ³	6 / 4300	4 / 2800
Misc.	8.2	Operating pressure for attachments		bar	160	160
	8.3	Oil flow for attachments		l/min	90	90
	-	Average weighted acceleration on driver's body (acc to std NF EN 13059)		m/s ²	1	1

1 Values with duplex mast

Data is based on standard configurations (forks, battery).
Performance data and dimensions are nominal and subject to tolerances.
Specifications are subject to change without notice.

DIMENSIONAL DRAWINGS



MAST AND RATED CAPACITIES

MI 5,0 T			Duplex Total Visibility							Duplex Free Lift				Triplex Free Lift						
			DVT30	DVT33	DVT35	DVT37	DVT40	DVT45	DVT50	DLL30	DLL33	DLL35	DLL37	TLL40	TLL43	TLL45	TLL47	TLL50	TLL55	TLL60
h3*	Lift height	mm	3000	3300	3500	3700	4000	4500	5000	3000	3300	3500	3700	4000	4300	4500	4700	5000	5500	6000
h1	Height mast lowered	mm	2245	2395	2495	2595	2795	3070	3345	2226	2376	2476	2576	2080	2180	2248	2310	2410	2575	2790
h2	Free lift	mm	160	160	160	160	160	160	160	1364	1514	1614	1714	1222	1322	1390	1452	1552	1718	1932
h4*	Height mast extended*	mm	4365	4665	4865	5065	5365	5865	6365	4365	4665	4865	5065	5365	5665	5880	6070	6370	6870	7380
	Residual capacity without attachment	kg	5000	5000	5000	5000	5000	4700	4100	5000	5000	5000	5000	4850	4700	4600	4300	3900	3400	2700
	Residual capacity with Integrated sideshift	kg	5000	5000	5000	5000	5000	4600	4000	5000	5000	5000	5000	4750	4600	4500	4200	3800	3300	2600
α/β	Tilt of mast forwards / backwards	deg	6 / 12	6 / 12	6 / 12	6 / 12	6 / 12	6 / 6	6 / 6	6 / 12	6 / 12	6 / 12	6 / 12	6 / 12	6 / 6	6 / 6	6 / 6	6 / 6	3 / 6	3 / 6

* Without backrest

Your nearest MANITOU dealer:



Head office

B.P. 249 - 430 rue de l'Aubinière - 44158 Ancenis Cedex - France
Tel: 00 33 (0)2 40 09 10 11 - Fax: 00 33 (0)2 40 09 10 97
www.manitou.com



This brochure describes versions and configuration options for Manitou products which may be fitted with different equipment. The equipment described in this brochure may be standard, optional or not available depending on version. Manitou reserves the right to change the specifications shown and described at any time and without prior warning. The manufacturer is not liable for the specifications given. For more information, contact your Manitou dealer. Non-contractual document. Product descriptions may differ from actual products. List of specifications is not comprehensive. The logos and visual identity of the company are the property of Manitou and may not be used without authorisation. All rights reserved. The photos and diagrams contained in this brochure are provided for information only.

MANITOU BF SA - Limited company with board of directors - Share capital: 39,547,824 euros - 857 802 508 RCS Nantes