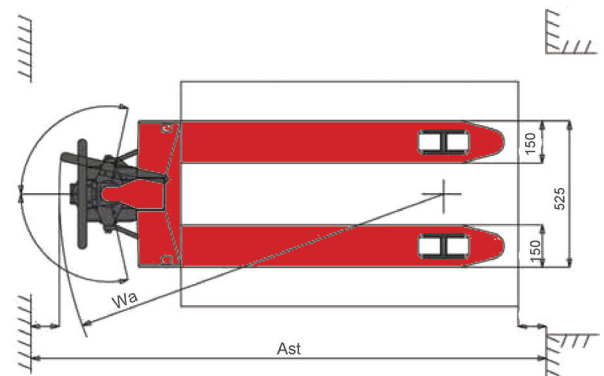
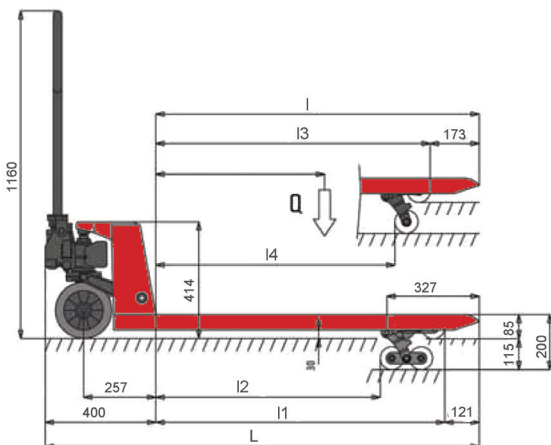
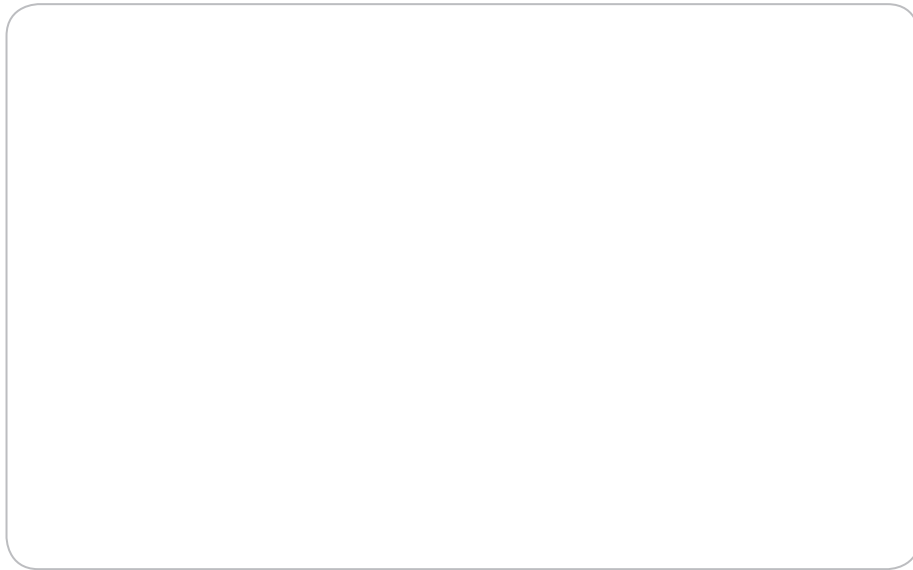




				895818	895819	855820	895821	895822
1.2								
1.3								
1.4								
1.5		Q	kg	2 200	2500	2500	2500	2500
1.6		c	mm	600	600	600	600	600
1.8		x	mm	932	932	932	932	932
1.9		y	mm	1192	1192	1192	1192	1192
2.1			kg	63	67	67	67	67
2.2			kg	680/1581-1583	767/1794-1796	767/1794-1796	767/1794-1796	767/1794-1796
2.3			kg	42/19-21	42/19-21	42/19-21	42/19-21	42/19-21
3.1				P/C	P/C	P/C	N/N	N/N
3.2			mm	200x45	200x45	200x45	200x45	200x45
3.3			mm	82x82-60	82x82-60	82x82-60	82x82-60	82x82-60
3.5				2/2	2/4	2/2	2/4	2/2
3.6		b10	mm	155	155	155	155	155
3.7		b11	mm	375	375	375	375	375
4.4		h3	mm	115	115	115	115	115
4.9		h14	mm	690/1160	690/1160	690/1160	690/1160	690/1160
4.15		h13	mm	85	85	85	85	85
4.19		l1	mm	1550	1550	1550	1550	1550
4.20		l2	mm	400	400	400	400	400
4.21		b1	mm	525	525	525	525	525
4.22		s / e / l	mm	55x150x1150	55x150x1150	55x150x1150	55x150x1150	55x150x1150
4.25		b5	mm	525	525	525	525	525
4.32		m2	mm	30	30	30	30	30
4.34		Ast	mm	1835	1835	1835	1835	1835
4.35		Wa	mm	1367	1367	1367	1367	1367
5.2				13/13	13/13	13/13	13/13	13/13





			787353	787352	894423	787355	787354
	1.2						
	1.3						
	1.4						
	1.5	kg	2500	2500	2500	2500	2500
	2.1	kg	70	72	65	64	66
	3.1		P/C	P/C	P/C	N/N	N/N
	3.5		2/2	2/4	2/4	2/2	2/4
	4.4	mm	200	200	200	200	200
	4.15	mm	85	85	85	85	85
	4.19	mm	1550	1550	1550	1550	1550

