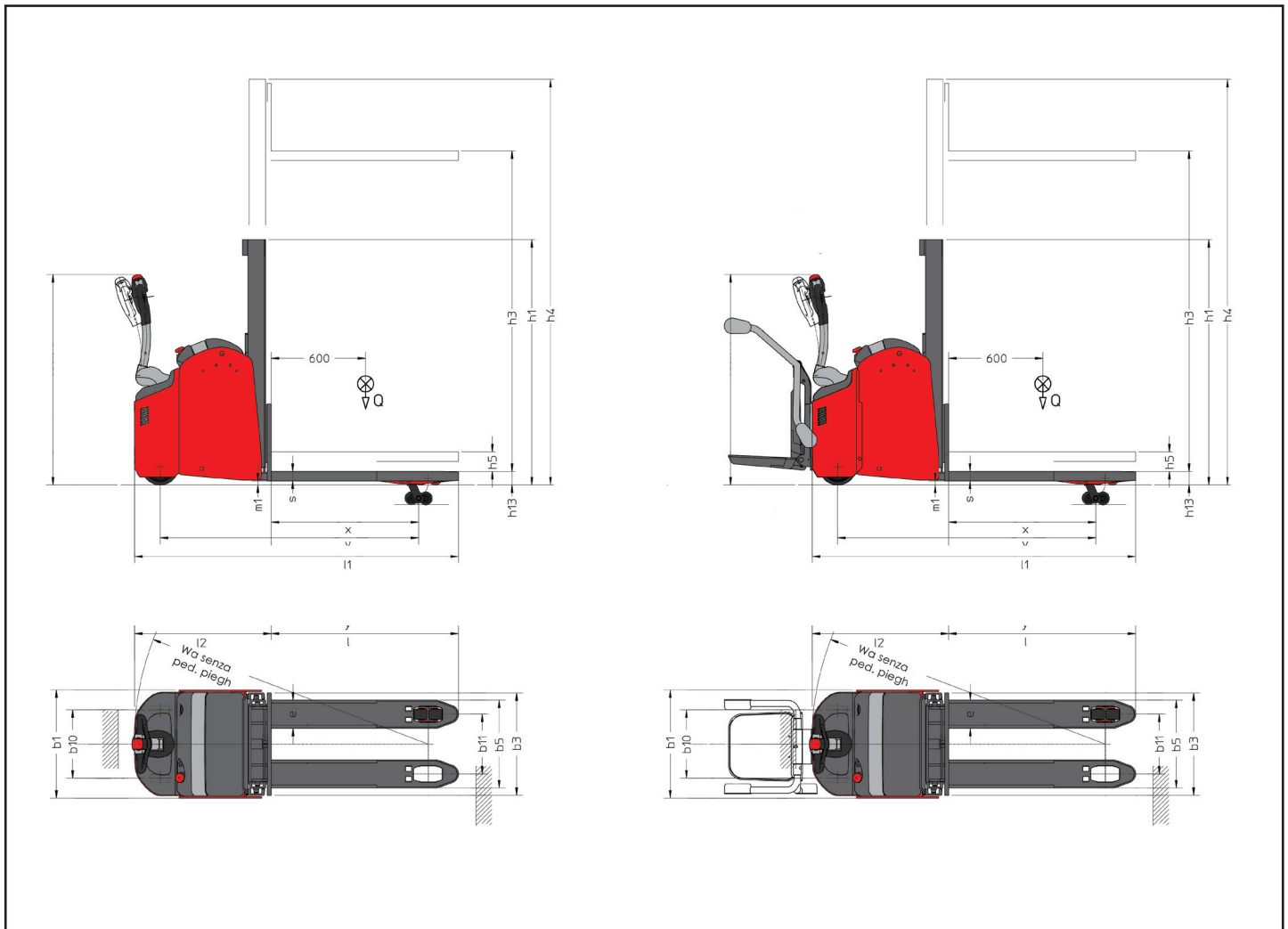




				MANITOU	MANITOU	MANITOU
				ES420 DL	ES420 DL PFR6	ES 420 DL PFR9**
		Q	kg	2000	2000	2000
		Q	kg	1000	1000	1000
		Q	kg	1000 + 1000	1000 + 1000	1000 + 1000
		c	mm	600	600	600
		x	mm	997/937	997/937	997/937
		y	mm	1704/1644	1704/1644	1704/1644
			kg	1020	1060	1075
			kg	1460/1560	1475/1585	1485/1590
			kg	730/290	755/305	765/310
			mm	1x(230x75)	1x(230x75)	1x(230x75)
			mm	4x(82x68)	4x(82x68)	4x(82x68)
			mm	2x(120x50)	2x(120x50)	2x(120x50)
				1x2/4	1x2/4	1x2/4
		b10	mm	435	435	435
		b11	mm	380	380	380
		h1	mm			
		h2	mm			
		h3	mm			
		h4	mm			
		h5	mm	125	125	125
		h14	mm	866/1320	1045/1275	1045/1275
		h13	mm	85 ⁺⁵⁻⁰	85 ⁺⁵⁻⁰	85 ⁺⁵⁻⁰
		l1	mm	2060	2197 / 2567	1870
		l2	mm	870	1007 / 1317	2085/2140
		b1	mm	688	688	688
		s / e / l	mm	60x180x1190*	60x180x1190*	60x180x1190*
		b3	mm	650	650	650
		b5	mm	560	560	560
		m1		25	25	25
		m2	mm	30	30	30
		Ast	mm	2519	2658	2658
		Wa	mm	1870	2010	2010
			km/h	5,5/6	5,5/6	8,5/9
			m/s	0,11/0,18	0,11/0,18	0,11/0,18
			m/s	0,24/0,20	0,24/0,20	0,24/0,20
			%	10/20	9/18	9/18
			kW	1,7	1,7	1,7
			kW	2	2	2
				B 3EP Zs	B 3EP Zs	B 3EP Zs
			V/Ah	24/270 (max 375)	24/270 (max 375)	24/270 (max 375)
			kg	245 (max 360)	245 (max 360)	245 (max 360)
			db (A)	65	65	65

*
**



ES 420 DL - ES 420 DL PFR		SVC 17	DVC17	DVC21	T21
		h3	mm	1725	1725
h1	mm	2180	1365	1560	1110
h2	mm	-	-	-	-
h4	mm	-	2185	2580	2475

