

# Technical book

CT Range  
3,0 to 5,0 tons  
Electric tractors



# 3000 - 5000 kg

## TECHNICAL SPECS

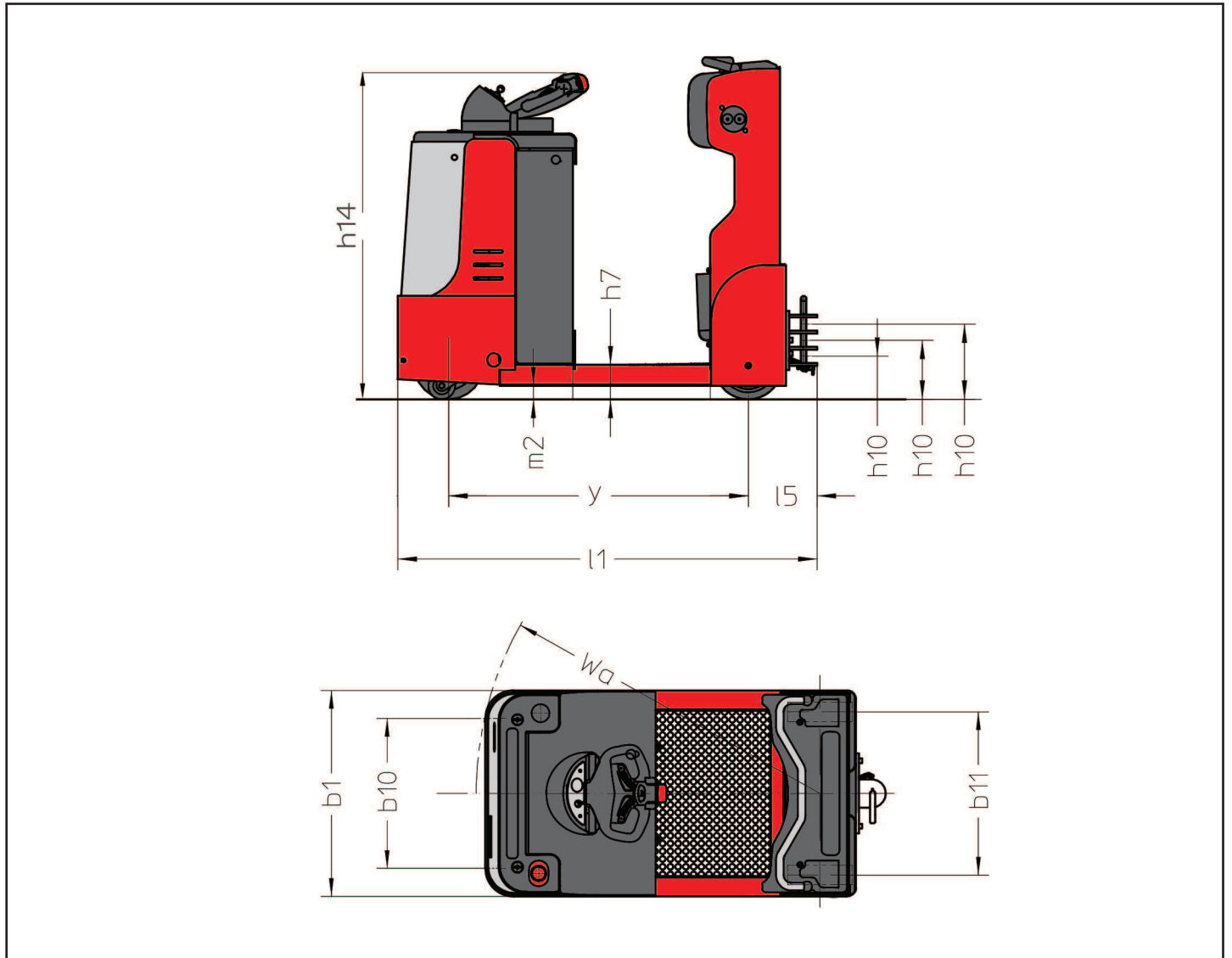
				MANITOU			
				CT 30	CT 40	CT 50	
Specifications	1.1	Manufacturer			MANITOU	MANITOU	MANITOU
	1.2	Model			CT 30	CT 40	CT 50
	1.3	Power source			Battery	Battery	Battery
	1.4	Driving position			Ride-on	Ride-on	Ride-on
	1.5	Nominal capacity	Q	kg	3000	4000	5000
	1.7	Rated drawbar pull	F	kg	90	120	150
	1.9	Wheelbase	y	mm	1109	1109	1109
Weight	2.1	Operating weight		kg	1270	1270	1270
	2.3	Axle load, without load, front / rear		kg	800/470	800/470	800/470
Tyres, frame	3.1	Wheel type (front / rear)			Polyurethane	Polyurethane	Polyurethane
	3.2	Size of drive wheels		mm	254 x 100	254 x 100	254 x 100
	3.3	Tyres size (load side)		mm	250 x 75	250 x 75	250 x 75
	3.4	Size of castor wheels		mm	100 x 40	100 x 40	100 x 40
	3.5	Number of front wheels (x = drive wheel) / rear wheels			1x 2/2	1x 2/2	1x 2/2
	3.6	Front wheel gauge (middle of wheels)	b10	mm	581	581	581
	3.7	Rear wheel gauge (middle of wheels)	b11	mm	633	633	633
Dimensions	4.8	Platform height	h7		128	128	128
	4.9	Tiller arm in vertical position	h14	mm	1212	1212	1212
	4.12	Coupling height	h10	mm	160/220/280	160/220/280	160/220/280
	4.17	Coupling distance to rear axle	l5	mm	255*	255*	255*
	4.19	Overall length	l1	mm	1551*	1551*	1551*
	4.21	Total width (overall)	b1	mm	800*	800*	800*
	4.32	Ground clearance at centre of wheel-base	m2	mm	50	50	50
4.35	Turning radius	Wa	mm	1332	1332	1332	
Performances	5.1	Speed of travel laden / unladen		m/s	0,5/0,45	0,5/0,45	0,5/0,45
	5.6	Minimum drawbar pull		daN	370	370	370
	5.8	Maximum climbing ability, with / without load		%	6/13	4/13	4/13
	5.10	Service brake			Electromagnetic	Electromagnetic	Electromagnetic
Motors	6.1	Drive motor (S2 60 min)		kW	2	2	2
	6.3	Battery according to DIN 43531/35/36 A,B,C					
	6.4	Battery voltage/rated capacity (5h)		V/Ah	24/465	24/465	24/465
	6.5	Battery weight (± 5%)		kg	370	460	460
Misc.	8.4	Average noise level for the driver (in motion) measured / guaranteed		db (A)	66	66	66

Data is based on standard configurations (battery).

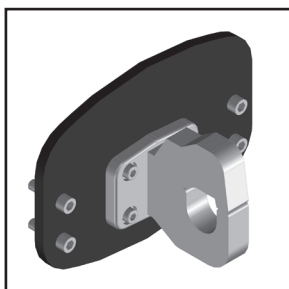
Truck performance and dimensions are nominal and subject to tolerances.

Manitou product and specifications are subject to change without notice.

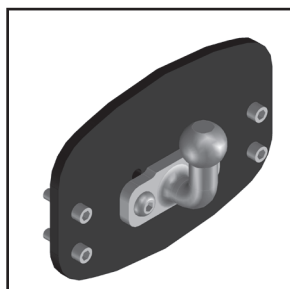
## DIMENSIONAL DRAWINGS



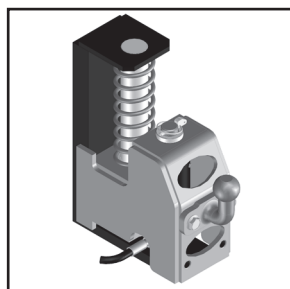
## AVAILABLE HOOKS



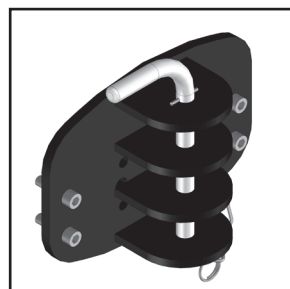
Coupling hook



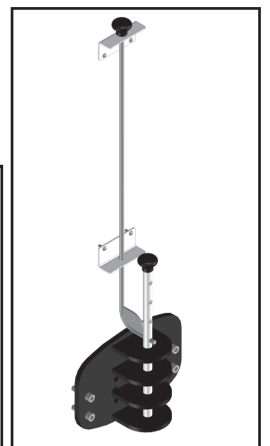
Coupling ball



Coupling ball with hydraulic  
lifting



Manual coupling pin



Remoted manual  
coupling pin

Your MANITOU dealer :



**Head office:**

B.P. 249 - 430 rue de l'Aubinière - 44158 Ancenis Cedex - France  
Tel: 00 33 (0)2 40 09 10 11 - Fax: 00 33 (0)2 40 09 10 97  
[www.manitou.com](http://www.manitou.com)

CThis brochure describes versions and configuration options for Manitou products which may be fitted with different equipment. The equipment described in this brochure may be standard, optional or not available depending on version. Manitou reserves the right to change the specifications shown and described at any time and without prior warning. The manufacturer is not liable for the specifications given. For more information, contact your Manitou dealer. Non-contractual document. Product descriptions may differ from actual products. List of specifications is not comprehensive. The logos and visual identity of the company are the property of Manitou and may not be used without authorisation. All rights reserved. The photos and diagrams contained in this brochure are provided for information only.

MANITOU BF SA - Limited company with board of directors - Share capital: 39,547,824 euros - 857 802 508 RCS Nantes