

Technical book

EMA II range
1.3 to 2.0 tons
Articulated trucks



1300 - 2000 kg

TECHNICAL SPECS

				MANITOU			
				MANITOU	MANITOU	MANITOU	
Specifications	1.1	Manufacturer			MANITOU	MANITOU	MANITOU
	1.2	Model			EMA II compact 13	EMA II 17	EMA II 20
	1.3	Power source			Battery	Battery	Battery
	1.4	Driving position			Seated	Seated	Seated
	1.5	Nominal capacity	Q	t	1300	1700	2000
	1.6	Load centre	C	mm	500	500	500
	1.9	Wheelbase	y	mm	1855	1745	1745
Weights	2.1	Operating weight		kg	5900*	6000*	6600*
	2.2	Axle load, with load, front / rear		kg	3350 / 3850 ¹⁾	4250 / 3250 ²⁾	4800 / 3800 ³⁾
	2.3	Axle load, without load, front / rear		kg	1900 / 4000	2000 / 4000	2200 / 4400
Tyres, frame	3.1	Tyre equipment: cushion (V), superelastic (SE), pneumatic (L)			V	V	V
	3.2	Size of front wheels	Ø x L	mm	412x127	412 x 152	412 x 178
	3.3	Size of rear wheels	Ø x L	mm	457x152	457 x 152	457 x 152
	3.5	Number of front wheels (x = drive wheel) / rear wheels			2x / 2	2x / 2	2x / 2
	3.6	Front wheel width	b1	mm	825	960	1125
	3.7	Rear wheel width	b	mm	1060	1080	1200
	Dimensions	4.1	Tilt of mast forward / backward (2)	α / β	deg	1,5 / 3,5	1,5 / 3,5
4.2		Height, mast lowered	h1	mm	2810	2750	2750
4.3		Free lift	h2	mm	1930	1930	1930
4.4		Lift height	h3	mm	5550**	5550**	5550**
4.5		Height, mast extended (with backrest)	h4	mm	6450	6380	6380
4.7		Height of overhead guard	h6	mm	2260	2260	2260
4.12		Height of towing bar	h7	mm	1200	1200	1200
4.19		Overall length	l1	mm	3890	3710	3710
4.20		Length at fork heels	l2	mm	2740	2560	2560
4.22		Fork dimensions	s / e / l	mm	40 x 100 x 1150	40 x 100 x 1150	40 x 125 x 1150
4.23		Fork carriage to DIN 15173 A/B		mm	II B	II B	II B
4.24		Width of fork carriage	b3	mm	860	860	860
4.31		Ground clearance below mast	m1	mm	50	50	50
4.32		Ground clearance at centre of wheel-base	m2	mm	130	130	130
4.33	Width of aisle for pallet 1000 x 1200 width	Ast	mm	1700***	1800***	1900***	
4.34	Width of aisle for pallet 800 x 1200 length	Ast	mm	1900***	2000***	2100***	
Performances	5.1	Travel speed laden / unladen		km/h	9 / 9,5	9 / 9,5	9 / 9,5
	5.2	Lift speed laden / unladen		m/s	0,35 / 0,45	0,35 / 0,45	0,35 / 0,45
	5.3	Lowering speed laden / unladen		m/s	0,40/0,35	0,40 / 0,36	0,40 / 0,34
	5.7	Gradeability with / without load		%	8 / 10,5	8 / 10,5	8 / 10,5
	5.10	Service brake			Hydro. rear wheels	Hydro. rear wheels	Hydro. rear wheels
Motors	6.1	Drive motor, hourly capacity - S2 60 min		kW	10	10	14
	6.2	Lift motor, capacity duty factor - S3 20%		kW	9	9	9
	6.3	Type of battery according to DIN 43531 35/36 A, B, C, or NO			DIN 43595	DIN 43595	DIN 43595
	6.4	Battery voltage / capacity (+5%)		V / Ah	48 / 620	48 / 620	48 / 775
	6.5	Weight of battery		kg	1030	1030	1135
Miscellaneous	8.1	Power control			Variator AC	Variator AC	Variator AC
	8.2	Operating pressure for attachments		bar	200	200	200
	8.3	Oil flow for attachments		l/min	25	25	25
	8.4	Sound level at the driver's ear according to EN 12 053		dB	73	73	73

* with mast & battery STD

** see mast table opposite

*** with 200 mm clearance

¹⁾ with load 1800 kg

²⁾ with load 1710 kg

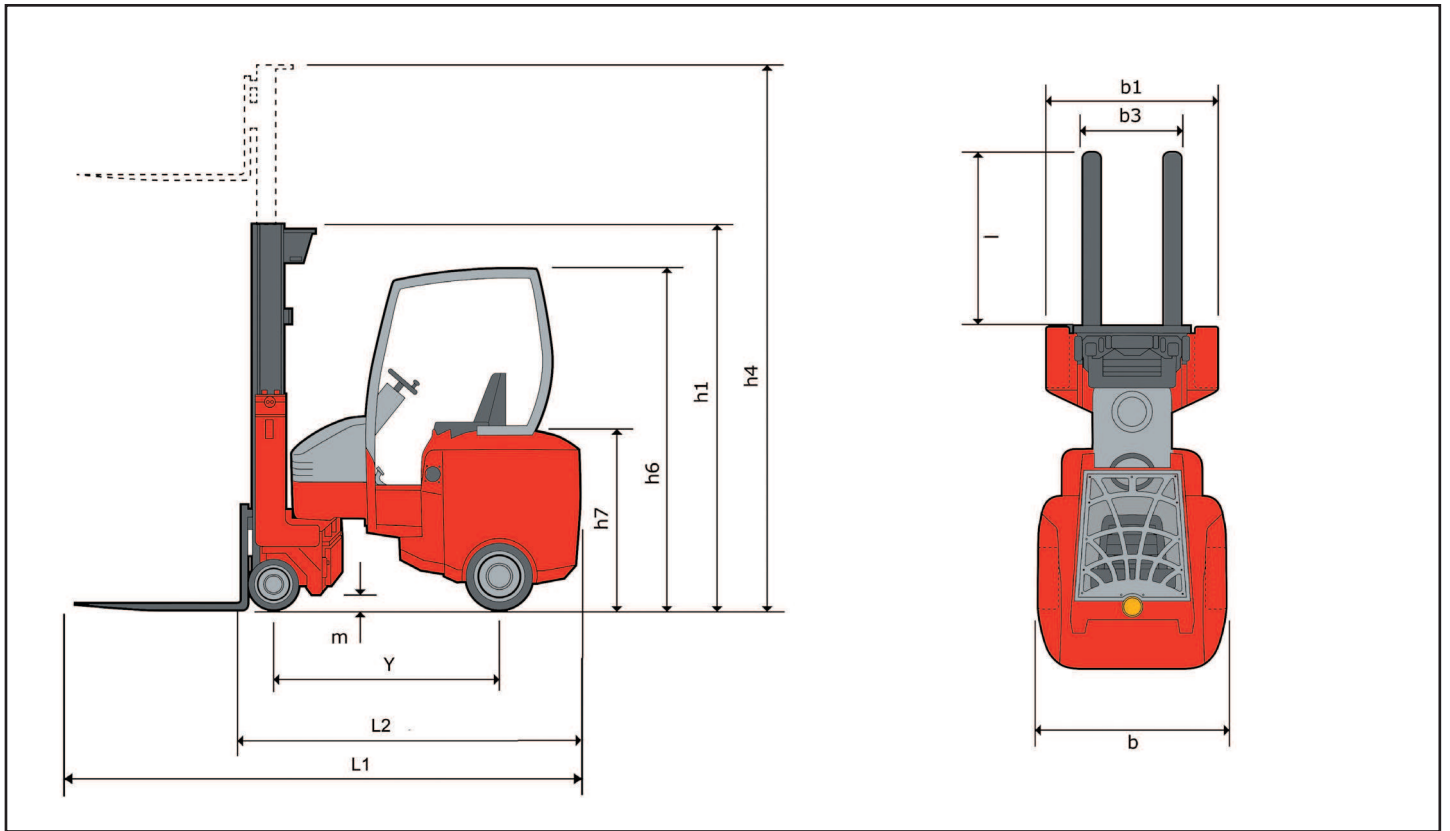
³⁾ with load 2000 kg

Data is based on standard configurations (forks, battery).

Truck's performance and dimensions are nominal and subject to tolerances.

Manitou products and specifications are subject to change without notice.

DIMENSIONAL DRAWINGS



MAST DIMENSIONS & RATED CAPACITIES

EMA II 13 Compact			Free lift Triplex					
			4200	5010	5550	6000	6600	7620
h3	Lift height	mm	4200	5010	5550	6000	6600	7620
h1	Height, mast lowered	mm	2360	2630	2810	2960	3210	3650
h2	Free lift	mm	1400	1750	1930	2080	2330	2670
h4	Height, mast raised*	mm	5030	5910	6450	6900	7500	8520
LC 500	Rated capacity at max height with integrated sideshift	kg	1300	1200	1100	1000	900	750
LC 600		kg	1250	1200	1000	900	800	700

EMA II 17			Free lift Triplex									
			4200	4620	4800	5010	5220	5550	6000	6600	7200	7620
h3	Lift height	mm	4200	4620	4800	5010	5220	5550	6000	6600	7200	7620
h1	Height, mast lowered	mm	2300	2440	2500	2570	2640	2750	2900	3150	3400	3590
h2	Free lift	mm	1480	1620	1680	1750	1820	1930	2080	2330	2580	2770
h4	Height, mast raised*	mm	5030	5450	5630	5840	6050	6380	6830	7430	8030	8450
LC 500	Rated capacity at max height with integrated sideshift	kg	1300	1300	1200	1200	1200	1200	1100	950	900	900
LC 600		kg	1250	1200	1100	1100	1100	1100	1000	900	850	850

EMA II 20			Free lift Triplex									
			4200	4530	5010	5550	6000	6600	7200	7620	8010	8610
h3	Lift height	mm	4200	4530	5010	5550	6000	6600	7200	7620	8010	8610
h1	Height, mast lowered	mm	2300	2410	2570	2750	2900	3150	3400	3590	3720	4020
h2	Free lift	mm	1480	1590	1750	1930	2080	2330	2580	2770	2900	3200
h4	Height, mast raised*	mm	5030	5360	5840	6380	6830	7430	8030	8450	8840	9440
LC 500	Rated capacity at max height with integrated sideshift	kg	1800	1700	1600	1500	1400	1300	1200	1150	1080	1000
LC 600		kg	1600	1600	1500	1400	1300	1250	1150	1050	1000	950

* without backrest

** other masts available

1750 kg

TECHNICAL SPECS

Specifications	1.1	Manufacturer			MANITOU	MANITOU
	1.2	Model			EMA II 18 HL-1	EMA II 18 HL-2
	1.3	Power source			Battery	Battery
	1.4	Driving position			Seated	Seated
	1.5	Nominal capacity	Q	t	1750	1750
	1.6	Load centre	c	mm	500	500
	1.9	Wheelbase	y	mm	1745	1745
Weights	2.1	Operating weight		kg	6900*	8700*
	2.2	Axle load, with load, front / rear		kg	4200 / 4500 ¹⁾	6330 4080 ²⁾
	2.3	Axle load, without load, front / rear		kg	2200 / 4700	3480 / 5220
Tyres, frame	3.1	Tyre equipment: cushion (V), superelastic (SE), pneumatic (L)			V	V
	3.2	Size of front wheels	Ø x L	mm	412 x 178	412 x 178
	3.3	Size of rear wheels	Ø x L	mm	457 x 178	457 x 178
	3.5	Number of front wheels (x = drive wheel) / rear wheels			2x / 2	2 x / 2
	3.6	Front wheel width	b1	mm	1110	1110
	3.7	Rear wheel width	b	mm	1250	1350
	Dimensions	4.1	Tilt of mast forward / backward (2)	α / β	deg	1,5 / 4
4.2		Height, mast lowered	h1	mm	2750	2750
4.3		Free lift	h2	mm	1930	1930
4.4		Lift height	h3	mm	5550**	5550**
4.5		Height, mast extended (with backrest)	h4	mm	6380	6380
4.7		Height of overhead guard	h6	mm	2260	2260
4.12		Height of towing bar	h7	mm	1200	1200
4.19		Overall length	l1	mm	3740	3740
4.20		Length at fork heels	l2	mm	2590	2590
4.22		Fork dimensions	s / e / l	mm	40 x 125 x 1150	40 x 125 x 1150
4.23		Fork carriage to DIN 15173 A/B		mm	II B	II B
4.24		Width of fork carriage	b3	mm	860	860
4.31		Ground clearance below mast	m1	mm	50	50
4.32		Ground clearance at centre of wheel-base	m2	mm	130	130
4.33	Width of aisle for pallet 1000 x 1200 width	Ast	mm	1950***	2000***	
4.34	Width of aisle for pallet 800 x 1200 length	Ast	mm	2200***	2250***	
Performances	5.1	Travel speed laden / unladen		km/h	9 / 9,5	9 / 9,5
	5.2	Lift speed laden / unladen		m/s	0,35 / 0,45	0,35 / 0,45
	5.3	Lowering speed laden / unladen		m/s	0,40 / 0,36	0,40 / 0,36
	5.7	Gradeability with / without load		%	8 / 10,5	8 / 10,5
	5.10	Service brake			Hydro. rear wheels	Hydro. rear wheels
Motors	6.1	Drive motor, hourly capacity - S2 60 min		kW	14	14
	6.2	Lift motor, capacity duty factor - S3 20%		kW	9	9
	6.3	Type of battery according DIN 43531 35/36 A, B, C, or NO			DIN 43595	DIN 43595
	6.4	Battery voltage / capacity (+-5%)		V / Ah	48 / 775	48 / 930
	6.5	Weight of battery		kg	1435	1300
Miscellaneous	8.1	Power control			Variator AC	Variator AC
	8.2	Operating pressure for attachments		bar	200	200
	8.3	Oil flow for attachments		l/min	25	25
	8.4	Sound level at the driver's ear according to EN 12 053		dB	73	73

* with mast & battery STD

** see mast table opposite

*** with 200 mm clearance

1) with load 1800 kg

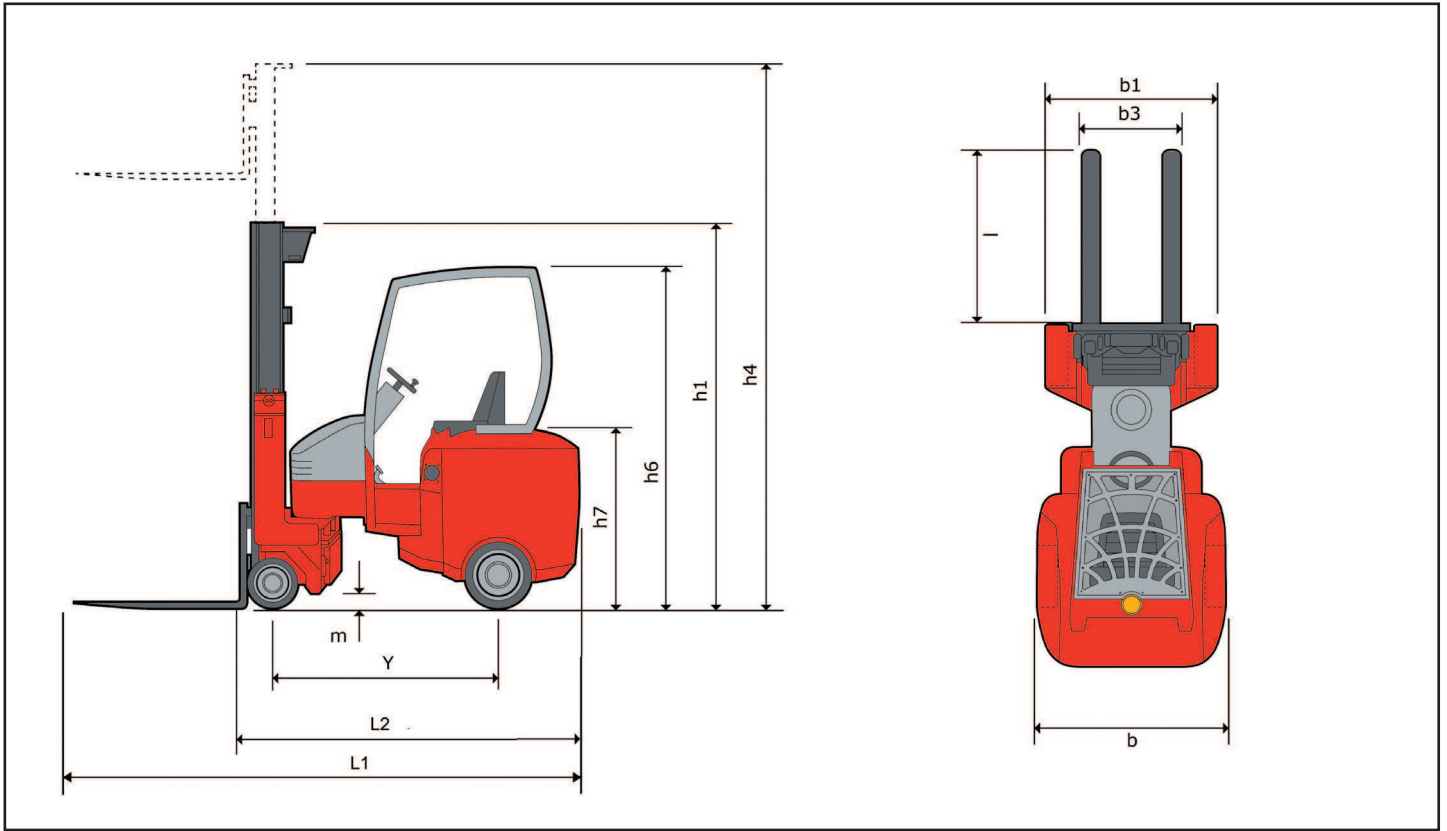
2) with load 1710 kg

Data is based on standard configurations (forks, battery).

Truck's performance and dimensions are nominal and subject to tolerances.

Manitou products and specifications are subject to change without notice.

DIMENSIONAL DRAWINGS



MAST DIMENSIONS & RATED CAPACITIES

EMA II 18 HL-1 (CDG 500 mm)			Free lift Triplex							
			8010	8400	8610	9000	9500	10020	10200	10560
h3**	Lift height	mm	8010	8400	8610	9000	9500	10020	10200	10560
h1	Height, mast lowered	mm	3720	3900	4020	4150	4500	4590	4690	4820
h2	Free lift	mm	2900	3080	3200	3330	3650	3770	3870	4000
h4	Height, mast raised*	mm	8840	9230	9440	9830	10475	10850	11175	11535
LC 500	Rated capacity at max height with integrated sideshift	kg	1250	1150	1150	1000	1000	750	750	650

EMA II 18 HL-1 (CDG 600 mm)			Free lift Triplex							
			8010	8400	8610	9000	9500	10020	10200	10560
h3**	Lift height	mm	8010	8400	8610	9000	9500	10020	10200	10560
h1	Height, mast lowered	mm	3720	3900	4020	4150	4500	4590	4690	4820
h2	Free lift	mm	2900	3080	3200	3330	3650	3770	3870	4000
h4	Height, mast raised*	mm	8840	9230	9440	9830	10475	10850	11175	11535
LC 600	Rated capacity at max height with integrated sideshift	kg	1100	1000	1000	800	800	650	650	600

EMA II 18 HL-2			Free lift Triplex									
			8010	8400	9000	9500	10020	10200	11010	12000	12510	12720
h3**	Lift height	mm	8010	8400	9000	9500	10020	10200	11010	12000	12510	12720
h1	Height, mast lowered	mm	3720	3900	4150	4270	4590	4690	5000	5340	5550	5570
h2	Free lift	mm	2900	3080	3330	3650	3770	3870	4180	4520	4680	4750
h4	Height, mast raised*	mm	8840	9230	9830	10350	10850	11175	11985	13005	13485	13695
LC 500 & LC 600	Rated capacity at max height with integrated sideshift	kg	1250	1250	1250	1100	1100	1000	850	750	700	500

* without backrest

** other masts available

2000 kg

TECHNICAL SPECS

				MANITOU	MANITOU	
Specifications	1.1	Manufacturer			MANITOU	
	1.2	Model		EMA II 20 HD-1	EMA II 20 HD-2	
	1.3	Power source		Battery	Battery	
	1.4	Driving position		Seated	Seated	
	1.5	Nominal capacity	Q	t	2000	2000
	1.6	Load centre	c	mm	500	500
	1.9	Wheelbase	y	mm	1745	1745
Weights	2.1	Operating weight		kg	6900*	8700*
	2.2	Axle load, with load, front / rear		kg	4200 / 4500 ¹⁾	6330 / 4080 ²⁾
	2.3	Axle load, without load, front / rear		kg	2200 / 4700	3480 / 5220
Tyres, frame	3.1	Tyre equipment: cushion (V), superelastic (SE), pneumatic (L)			V	V
	3.2	Size of front wheels	Ø x L	mm	412 x 178	412 x 178
	3.3	Size of rear wheels	Ø x L	mm	457 x 178	457 x 178
	3.5	Number of front wheels (x = drive wheel) / rear wheels			2x / 2	2x / 2
	3.6	Front wheel width	b1	mm	1110	1110
	3.7	Rear wheel width	b	mm	1250	1370
	Dimensions	4.1	Tilt of mast forward / backward (2)	α / β	deg	1,5 / 3,5
4.2		Height, mast lowered	h1	mm	2750	2750
4.3		Free lift	h2	mm	1930	1930
4.4		Lift height	h3	mm	5550**	5550*
4.5		Height, mast extended (with backrest)	h4	mm	6380	6380
4.7		Height of overhead guard	h6	mm	2260	2260
4.12		Height of towing bar	h7	mm	1200	1200
4.19		Overall length	l1	mm	3710	3710
4.20		Length at fork heels	l2	mm	2560	2560
4.22		Fork dimensions	s / e / l	mm	40 x 125 x 1150	40 x 125 x 1150
4.23		Fork carriage to DIN 15173 A/B		mm	II B	II B
4.24		Width of fork carriage	b3	mm	860	860
4.31		Ground clearance below mast	m1	mm	50	50
4.32		Ground clearance at centre of wheel-base	m2	mm	130	130
4.33	Width of aisle for pallet 1000 x 1200 width	Ast	mm	1950***	2000***	
4.34	Width of aisle for pallet 800 x 1200 length	Ast	mm	2150***	2200***	
Performances	5.1	Travel speed laden / unladen		km/h	9 / 9,5	8,5 / 9
	5.2	Lift speed laden / unladen		m/s	0,35 / 0,45	0,35 / 0,45
	5.3	Lowering speed laden / unladen		m/s	0,40 / 0,36	0,40 / 0,36
	5.7	Gradeability with / without load		%	8 / 10,5	6 / 8
	5.10	Service brake			Hydro. rear wheels	Hydro. rear wheels
Motors	6.1	Drive motor, hourly capacity - S2 60 min		kW	14	14
	6.2	Lift motor, capacity duty factor - S3 20%		kW	9	9
	6.3	Type of battery according DIN 43531 35/36 A, B, C, or NO			DIN 43595	DIN 43595
	6.4	Battery voltage / capacity (+-5%)		V / Ah	48 / 775	48 / 930
	6.5	Weight of battery		kg	1435	1300
Miscellaneous	8.1	Power control		bar	Variator AC	Variator AC
	8.2	Operating pressure for attachments		l/min	200	200
	8.3	Oil flow for attachments		dB	25	25
	8.4	Sound level at the driver's ear according to EN 12 053			73	73

* with mast & battery STD

** see mast table opposite

*** with 200 mm clearance

1) with load 1800 kg

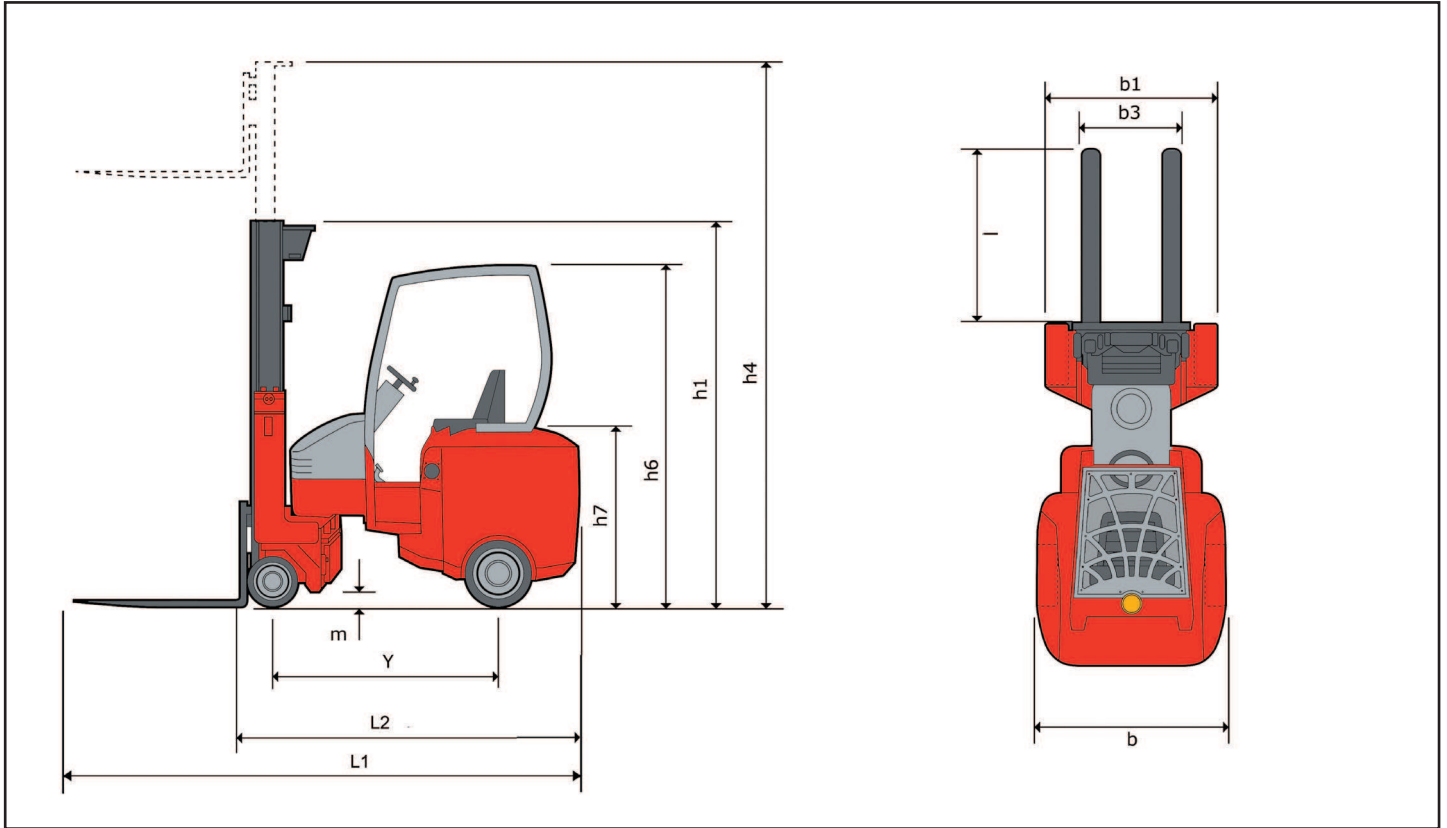
2) with load 1710 kg

Data is based on standard configurations (forks, battery).

Truck's performance and dimensions are nominal and subject to tolerances.

Manitou products and specifications are subject to change without notice.

DIMENSIONAL DRAWINGS



MAST DIMENSIONS & RATED CAPACITIES

EMA II 20 HD-1 (CDG 500 mm)			Free lift Triplex										
			5550	6000	6600	7020	7620	8010	8610	9000	9500	10200	10560
h3**	Lift height	mm	5550	6000	6600	7020	7620	8010	8610	9000	9500	10200	10560
h1	Height, mast lowered	mm	2750	2900	3150	3290	3590	3720	4020	4150	4500	4690	4820
h2	Free lift	mm	1930	2080	2330	2470	2770	2900	3200	3330	3650	3870	4000
h4	Height, mast raised*	mm	6380	6830	7430	7850	8450	8840	9440	9830	10475	11175	11535
LC 500	Rated capacity at max height with integrated sideshift	kg	1600	1450	1450	1300	1300	1200	1100	1000	900	750	650

EMA II 20 HD-1 (CDG 600 mm)			Free lift Triplex										
			5550	6000	6600	7020	7620	8010	8610	9000	9500	10200	10560
h3**	Lift height	mm	5550	6000	6600	7020	7620	8010	8610	9000	9500	10200	10560
h1	Height, mast lowered	mm	2750	2900	3150	3290	3590	3720	4020	4150	4500	4690	4820
h2	Free lift	mm	1930	2080	2330	2470	2770	2900	3200	3330	3650	3870	4000
h4	Height, mast raised*	mm	6380	6830	7430	7850	8450	8840	9440	9830	10475	11175	11535
LC 600	Rated capacity at max height with integrated sideshift	kg	1450	1350	1350	1250	1200	1100	1000	1000	800	650	600

EMA II 20 HD-2			Free lift Triplex								
			5500	6000	6600	7620	8010	8610	9000	10020	10560
h3**	Lift height	mm	5500	6000	6600	7620	8010	8610	9000	10020	10560
h1	Height, mast lowered	mm	2750	2900	3150	3590	3720	4020	4150	4590	4820
h2	Free lift	mm	1930	2080	2330	2770	2900	3200	3330	3770	4000
h4	Height, mast raised*	mm	6380	6830	7430	8450	8840	9440	9830	11000	11540
LC 500 & LC 600	Rated capacity at max height with integrated sideshift	kg	1500	1500	1450	1400	1350	1300	1250	1000	850

* without backrest

** other masts available

EMA II 17			Free lift Triplex												
			3930	4410	4530	4950	5400	5610	5820	6090	6210	6420	6810	7020	7410
h3	Lift height	mm	3930	4410	4530	4950	5400	5610	5820	6090	6210	6420	6810	7020	7410
h1	Height, mast lowered	mm	2210	2370	2410	2550	2700	2770	2840	2930	2970	3040	3220	3290	3470
h2	Free lift	mm	1390	1550	1590	1730	1880	1950	2020	2110	2150	2220	2400	2470	2650
h4	Height, mast raised*	mm	4760	5240	5360	5780	6230	6440	6650	6920	7040	7250	7640	7850	8240
CDG 500	Rated capacity at max height with integrated sideshift	kg	1300	1300	1300	1200	1200	1200	1200	1100	1100	1100	950	950	900
CDG 600		kg	1250	1200	1200	1100	1100	1100	1100	1100	1000	1000	1000	900	900

EMA II 20			Free lift Triplex												
			3930	4410	4530	4950	5400	5610	5820	6090	6210	6420	6810	7020	7410
h3	Lift height	mm	3930	4410	4530	4950	5400	5610	5820	6090	6210	6420	6810	7020	7410
h1	Height, mast lowered	mm	2210	2370	2410	2550	2700	2770	2840	2930	2970	3150	3220	3290	3470
h2	Free lift	mm	1390	1550	1590	1730	1880	1950	2020	2110	2150	2330	2400	2470	2650
h4	Height, mast raised*	mm	4760	5240	5360	5780	6230	6440	6650	6920	7040	7430	7640	7850	8240
CDG 500	Rated capacity at max height with integrated sideshift	kg	1700	1700	1700	1600	1500	1500	1400	1400	1400	1400	1300	1300	1200
CDG 600		kg	1650	1600	1600	1500	1400	1400	1300	1300	1300	1250	1250	1250	1150

EMA II 20			Free lift Triplex									
			7800	8010	8220	8400	8610	8820	9000	9210	9420	9500
h3	Lift height	mm	7800	8010	8220	8400	8610	8820	9000	9210	9420	9500
h1	Height, mast lowered	mm	3650	3720	3840	3900	4020	3840	4150	4270	4340	4500
h2	Free lift	mm	2830	2900	3020	3080	3200	3020	3330	3450	3520	3650
h4	Height, mast raised*	mm	8630	8840	9050	9230	9440	9050	9830	10040	10250	10850
CDG 500	Rated capacity at max height with integrated sideshift	kg	1150	1080	1080	1080	1000	1000	950	900	900	900
CDG 600		kg	1050	1000	1000	1000	950	950	900	850	850	850

EMA II 18HL-1			Free lift Triplex			
			8220	8820	9210	9420
h3	Lift height	mm	8220	8820	9210	9420
h1	Height, mast lowered	mm	3840	3840	4270	4340
h2	Free lift	mm	3020	3020	3450	3520
h4	Height, mast raised*	mm	9050	9050	10040	10250
CDG 500	Rated capacity at max height with integrated sideshift	kg	1150	1000	1000	1000
CDG 600		kg	1000	1000	800	800

* without backrest

EMA II 18HL-2			Free lift Triplex							
			8220	8610	8820	9210	9420	10560	11520	12270
h3	Lift height	mm	8220	8610	8820	9210	9420	10560	11520	12270
h1	Height, mast lowered	mm	3840	4020	3840	4270	4340	4820	5170	5430
h2	Free lift	mm	3020	5410	3020	3450	3520	4000	4350	4520
h4	Height, mast raised*	mm	9050	9440	9050	10040	10250	11390	12475	13245
CDG 500	Rated capacity at max height with integrated sideshift	kg	1250	1250	1250	1100	1100	900	800	700
CDG 600		kg	1250	1250	1250	1100	1100	900	800	700

EMA II 20 HD-1			Free lift Triplex														
			5610	5820	6090	6210	6420	6810	7200	7410	7800	8220	8400	8820	9210	9420	10020
h3	Lift height	mm	5610	5820	6090	6210	6420	6810	7200	7410	7800	8220	8400	8820	9210	9420	10020
h1	Height, mast lowered	mm	2770	2840	2930	2970	3040	3220	3400	3470	3650	3840	3900	4090	4270	4340	4590
h2	Free lift	mm	1950	2020	2110	2150	2220	2400	2580	2650	2830	3020	3080	3270	3450	3520	3770
h4	Height, mast raised*	mm	6440	6650	6920	7040	7250	7640	8030	8240	8630	9050	9230	9650	10040	10250	11000
CDG 500	Rated capacity at max height with integrated sideshift	kg	1450	1450	1450	1400	1350	1300	1300	1300	1300	1150	1150	1150	1000	1000	850
CDG 600		kg	1350	1350	1350	1300	1300	1250	1250	1200	1200	1000	1000	1000	900	800	750

EMA II 20 HD-2			Free lift Triplex														
			5610	5820	6090	6210	6420	6810	7200	7410	7800	8220	8400	8820	9210	9420	10200
h3	Lift height	mm	5610	5820	6090	6210	6420	6810	7200	7410	7800	8220	8400	8820	9210	9420	10200
h1	Height, mast lowered	mm	2770	2840	2930	2970	3040	3220	3400	3470	3650	3840	3900	4090	4270	4340	4690
h2	Free lift	mm	1950	2020	2110	2150	2220	2400	2580	2650	2830	3020	3080	3270	3450	3520	3870
h4	Height, mast raised*	mm	6440	6650	6920	7040	7250	7640	8030	8240	8630	9050	9230	9650	10040	10250	11175
CDG 500	Rated capacity at max height with integrated sideshift	kg	1500	1500	1450	1450	1450	1400	1400	1400	1350	1300	1300	1250	1000	1000	1000
CDG 600		kg	1500	1500	1450	1450	1450	1400	1400	1400	1350	1300	1300	1250	1000	1000	1000

Your nearest MANITOU dealer:



Head office:

B.P. 249 - 430 rue de l'aubinière - 44158 Ancenis cedex - France
Tel : 00 33 (0)2 40 09 10 11 - Fax : 00 33 (0)2 40 83 36 88
www.manitou.com

This brochure describes versions and configuration options for Manitou products which may be fitted with different equipment. The equipment described in this brochure may be standard, optional or not available depending on version. Manitou reserves the right to change the specifications shown and described at any time and without prior warning. The manufacturer is not liable for the specifications given. For more information, contact your Manitou dealer. Non-contractual document. Product descriptions may differ from actual products. List of specifications is not comprehensive. The logos and visual identity of the company are the property of Manitou and may not be used without authorisation. All rights reserved. The photos and diagrams contained in this brochure are provided for information only.

MANITOU BF SA - Limited company with board of directors - Share capital: 39,547,824 euros - 857 802 508 RCS Nantes