

Technical sheet

MRT 3050 PRIVILEGE PLUS

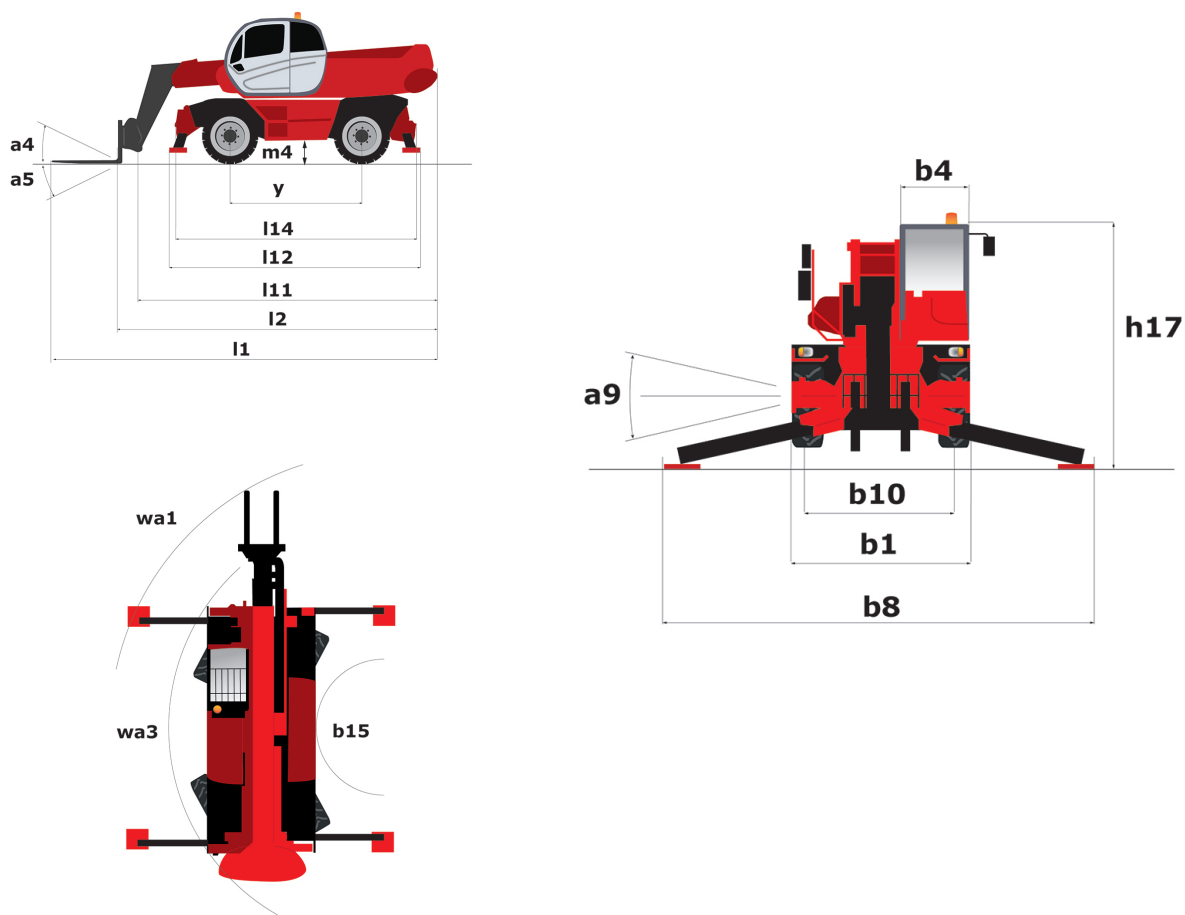
Rotating Telehandlers



| Capacities | | |
|--|--------------------------------------|--------------------------------------|
| Max. capacity | 4999 kg | 10998 lbs |
| Max. lift height | 29.50 m | 96 ft 78 in |
| Max. reach | 25.80 m | 84 ft 65 in |
| Dimensions | | |
| l2 - Length to fork heel | 7.82 m | 22.96 ft |
| l1 - Overall length | 9.02 m | 29.59 ft |
| b1 - Overall machine width | 2.49 m | 8.17 ft |
| b8 - Overall width with stabilisers extended | 6.25 m | 20.50 ft |
| h17 - Overall height | 3.05 m | 10 ft |
| b15- Inside turning radius | 6.50 m | 21.32 ft |
| m4 - Machine ground clearance | 0.35 m | 1.15 ft |
| a4 - Tilt-up angle | 12.30 ° | 12.30 ° |
| a5 - Tilt-down angle | 108.70 ° | 108.70 ° |
| Standard tyres | Pneumatic | Pneumatic |
| Standard forks | 1200 x 130 x 45 | 47.24 x 5.11 x 1.71 |
| Weight | 21810 kg | 48082.82 lbs |
| Stabilisers | | |
| Type | Telescopic Duplex | Telescopic Duplex |
| Controls | Individual or Simultaneous | Individual or Simultaneous |
| Engine | | |
| Brand | Mercedes | Mercedes |
| Environmental standards | OM 934 E4-5 - Stage 4 / Final Tier 4 | OM 934 E4-5 - Stage 4 / Final Tier 4 |
| Power | 176 hp / 129 kW | 176 hp / 129 kW |
| Max. torque | 750 Nm at 1500 rpm | 553 ft.lbs at 1500 rpm |
| Number of cylinders - Capacity | 4 - 5130 cm ³ | 4 - 313 in ³ |
| Injection | Direct | Direct |
| Cooling | by Water | by Water |
| Transmission | | |
| Type | Hydrostatic | Hydrostatic |
| Drawbar pull | 9500 daN | 21356.85 lbf |
| Parking brake | Automatic negative parking brake | Automatic negative parking brake |
| Service brake | Hydraulic | Hydraulic |
| Hydraulics | | |
| Type of pump | MachinePumpType.Variable | MachinePumpType.Variable |
| Hydraulic flow rate | 180 l/min | 47.50 gpm |
| Pressure | 350 bar | 5076.32 psi |
| Tank capacities | | |
| Hydraulic oil | 290 l | 76.60 US gal. |
| Fuel | 290 l | 76.60 US gal. |
| AdBlue Diesel Exhaust Fluid (DEF) | 57 l | 15.05 US gal. |
| Noise & vibration | | |
| Noise at driving position (LpA) | 79.70 dB(A) | 79.70 dB(A) |
| Noise to environment (LwA) | 108 dB(A) | 108 dB(A) |
| Vibration on hands/arms | <2.50 m/s ² | <8.2 ft/s ² |

Dimensional drawing

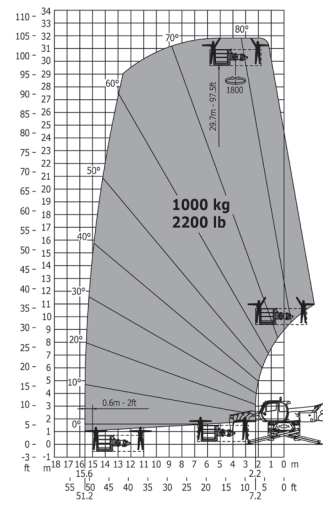
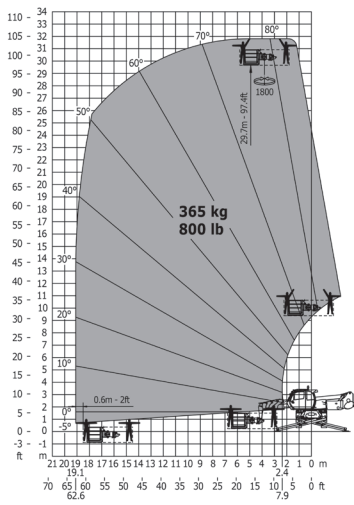
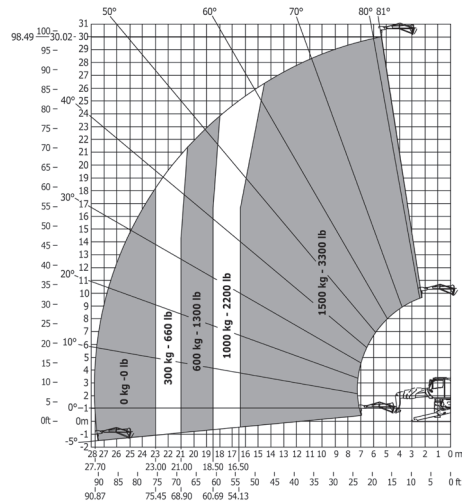
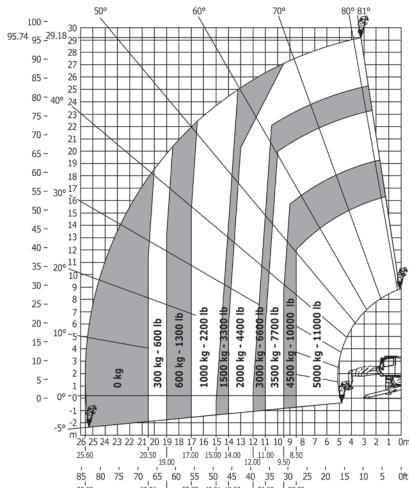
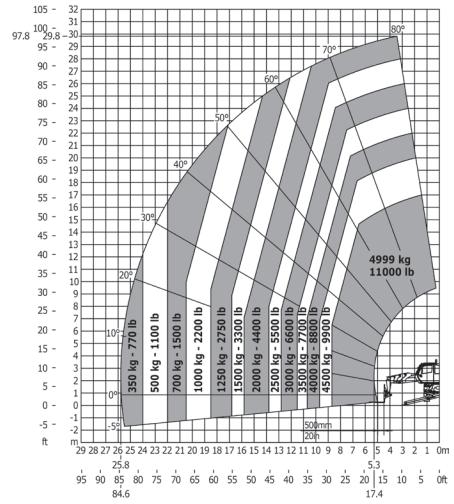
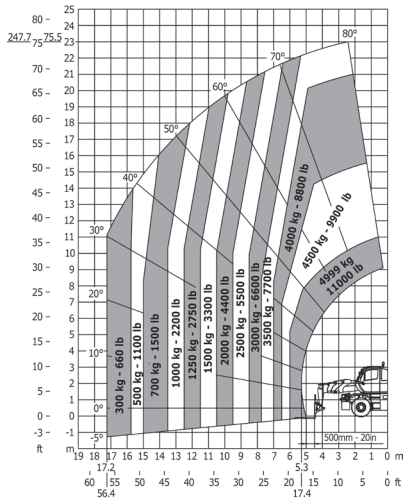
Created on June 6, 2017 3:17 PM

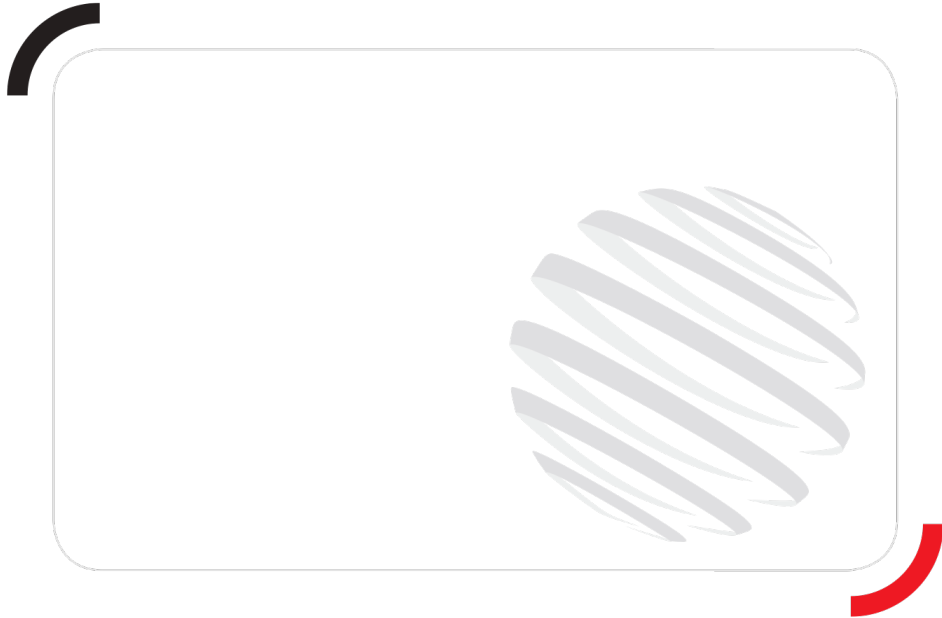


| Other data | Metric |
|--|----------|
| l11 - Overall length of fork carriage | 7.82 m |
| l12 - Overall width at stabilisers | 9.02 m |
| b8 - Overall width with stabilisers extended | 6.25 m |
| b4 - Overall cab width | 0.99 m |
| l14 - Length of frame | 5.60 m |
| y - Wheelbase | 3.25 m |
| a9 - Levelling corrector | 7.40 ° |
| a4 - Tilt-up angle | 12.30 ° |
| a5 - Tilt-down angle | 108.70 ° |
| b10 - Front wheel gauge (middle of wheels) | 2.05 m |
| b11 - Rear wheel gauge (middle of wheels) | 2.05 m |
| Wa1 - Outer turning radius (with forks) | 6.50 m |
| Wa3 - - Frame outer turning radius | 1.50 m |

Load chart

Created on June 6, 2017 3:18 PM





Siège Social
430 rue de l'Aubinière - 44150 Ancenis Cedex - France
Tel: +33(0)2 40 09 10 11 - Fax: +33 (0)2 40 09 10 97
www.manitou.com



This brochure describes versions and configuration options for Manitou products which may be fitted with different equipment. The equipment described in this brochure may be standard, optional or not available depending on version. Manitou reserves the right to change the specifications shown and described at any time and without prior warning. The manufacturer is not liable for the specifications given. For more information, contact your Manitou dealer. Non-contractual document. Product descriptions may differ from actual products. List of specifications is not comprehensive. The logos and visual identity of the company are the property of Manitou and may not be used without authorisation. All rights reserved. The photos and diagrams contained in this brochure are provided for information only.

MANITOU BF SA - Limited company with board of directors - Share capital: 39,547,824 euros - 857 802 508 RCS Nantes